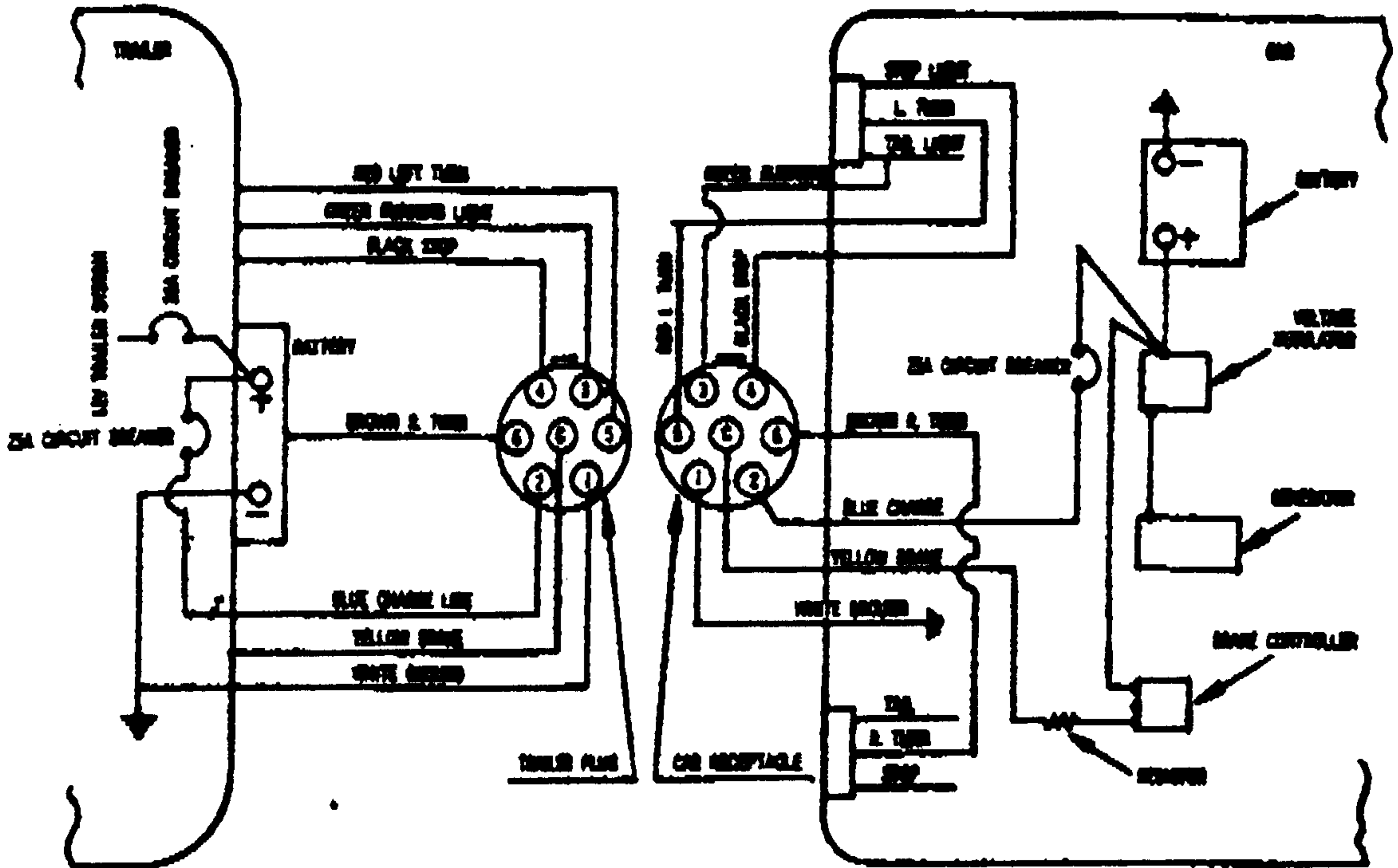


7 WAY PLUG

1964 - 1965

THIS CIRCUITRY APPLIES ONLY TO VEHICLES



Note: Polarity of trailer battery must match polarity of car battery. I.E., if negative pole of car battery is grounded, then negative pole of trailer battery must be grounded.