

RV Awning Stabilizer Kit

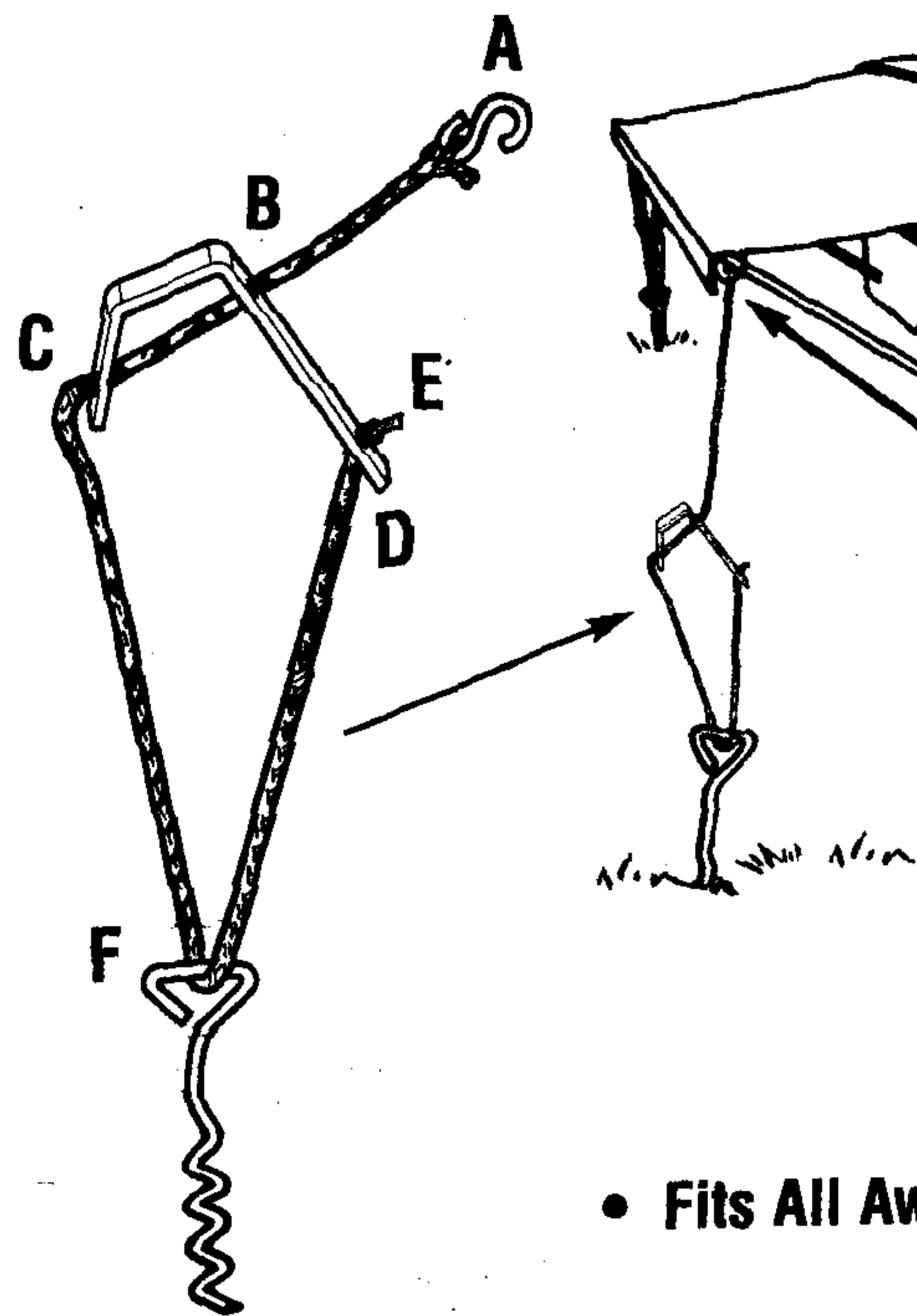
KIT CONTAINS: (2) S-hooks, (2) 8' ropes, (2) tension units, (2) stakes

ASSEMBLY: Refer to Fig. 1

1. Tie one end of rope around smaller eyelet of S-hook into knot.
2. Close off rest of S-hook eyelet with pliers.
3. Insert rope through tension unit at point B & C, then back through point D.
4. Tie a knot at point E to keep rope from slipping back through tension unit.
5. Assemble other unit using steps 1-4.

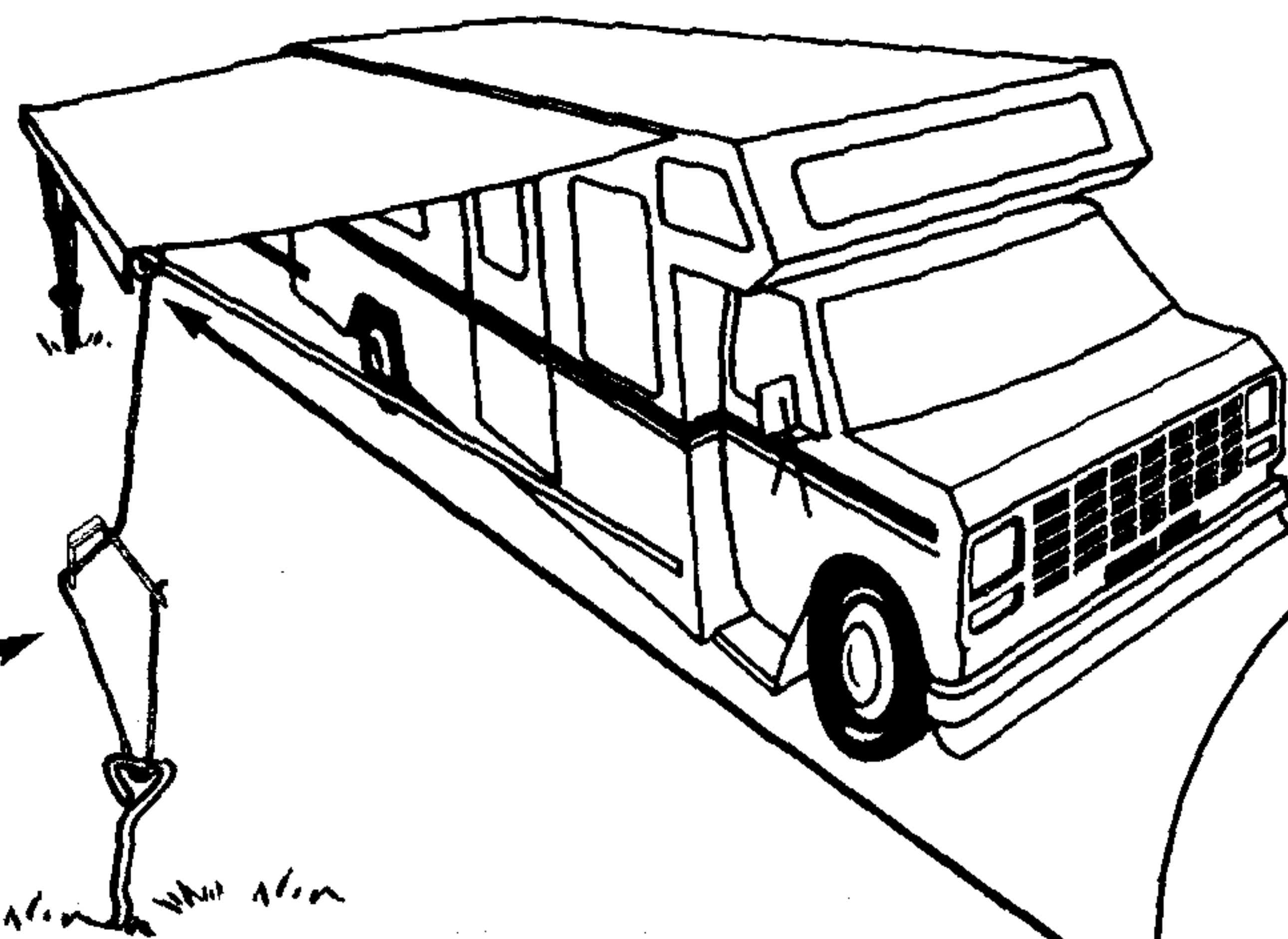
TO USE:

1. Screw one stake into ground under awning bar.
2. Wrap S-hook end of rope around end of awning bar. (Fig. II)
3. Insert rope through S-hook & pull tight. This holds the rope securely to the awning bar.
4. Attach rope to stake. (Fig. I point. E)
5. Tighten rope by sliding tension unit up rope at point B.
6. Repeat steps 1-5 for other side of awning bar.



• Fits All Awnings

Fig. I



Convient
à tous les
auvents

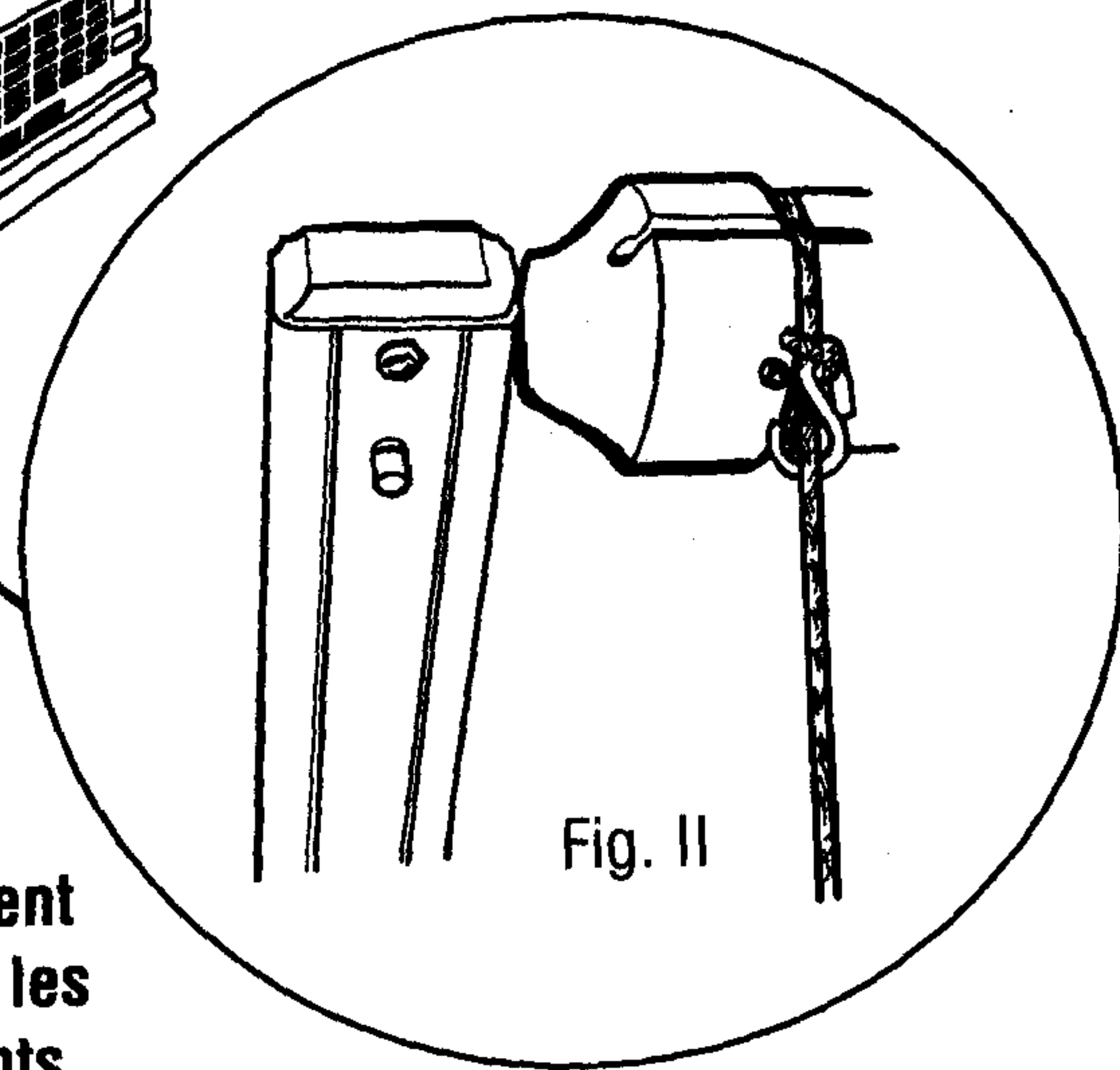


Fig. II

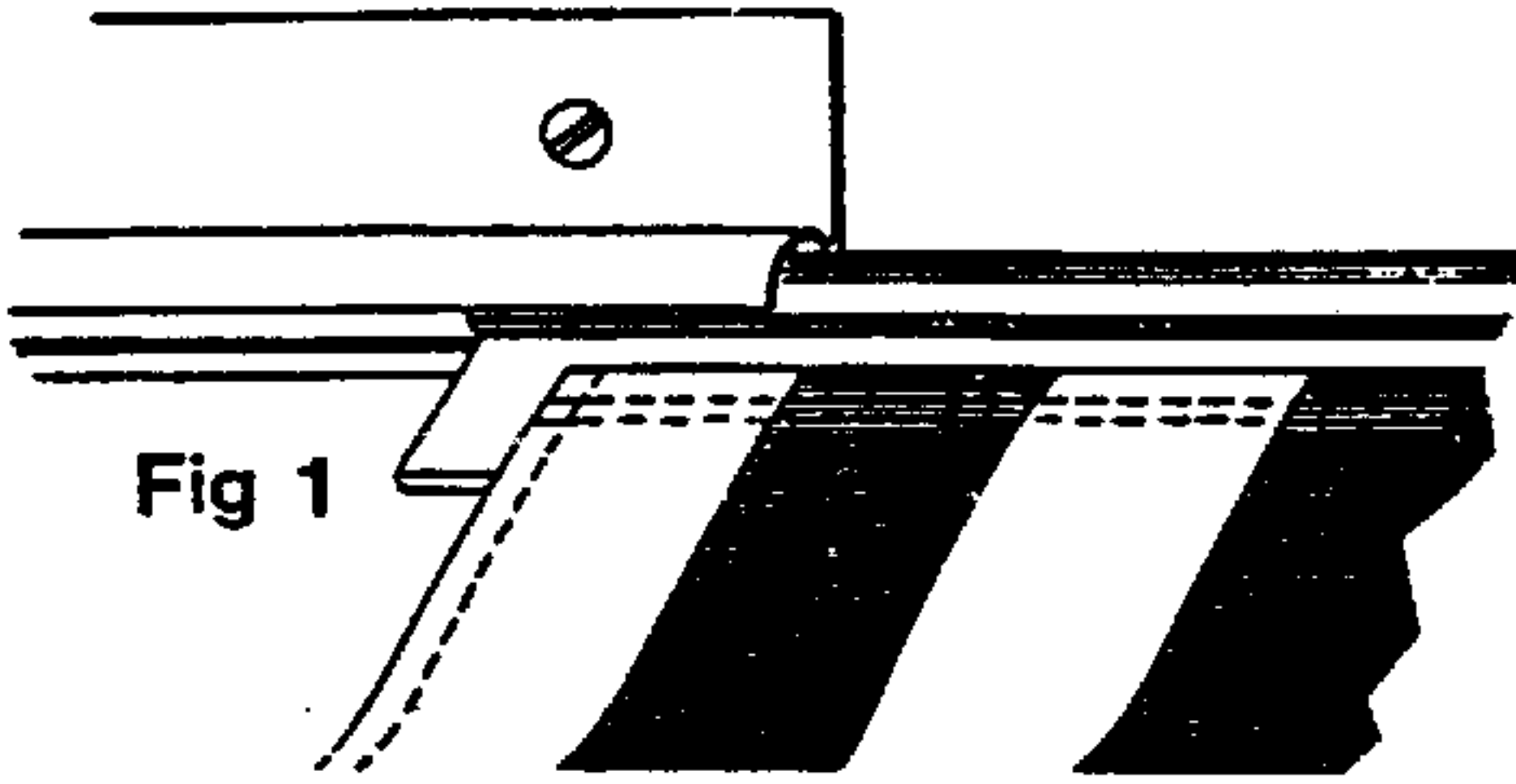


Fig 1



Fig 2

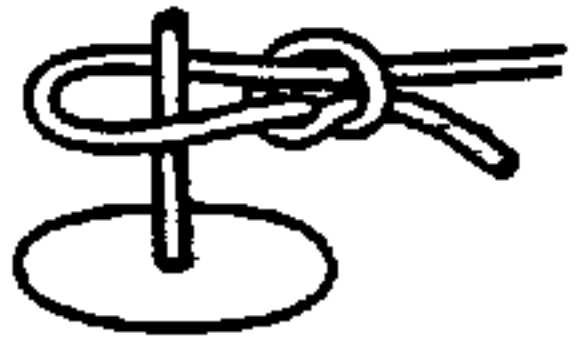


Fig 3

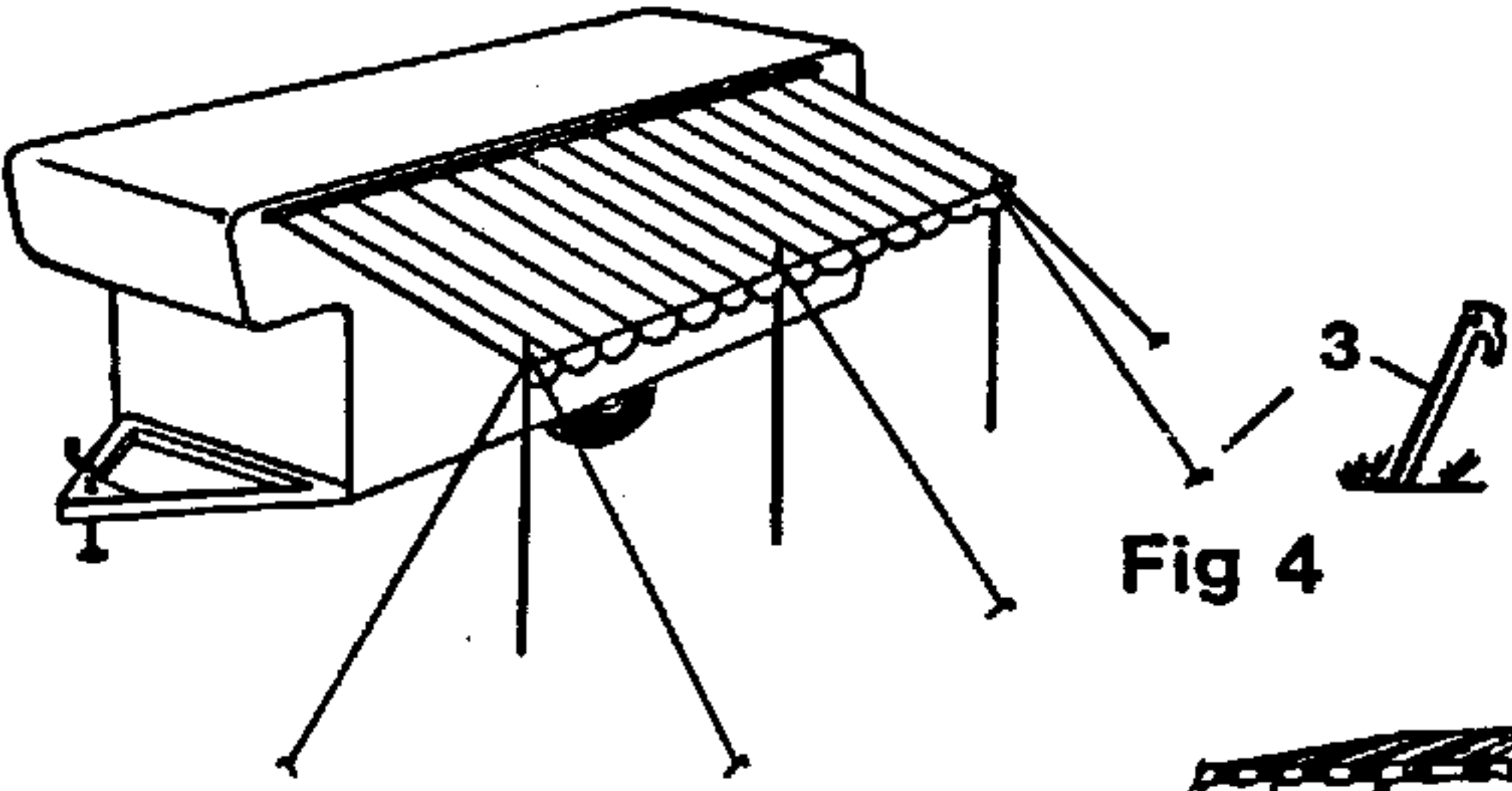
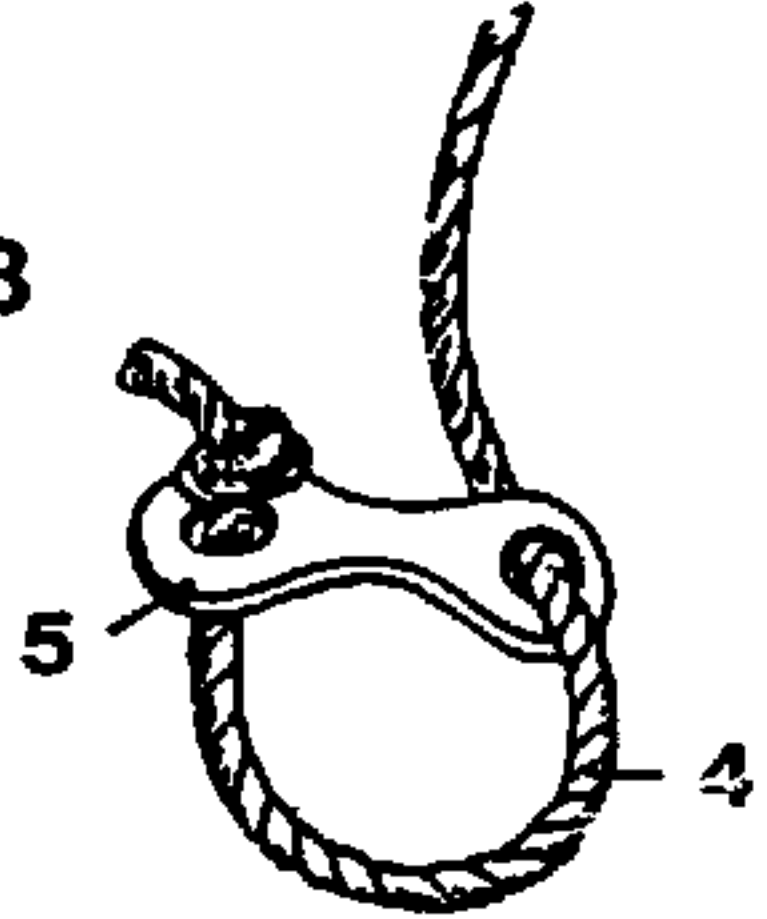


Fig 4

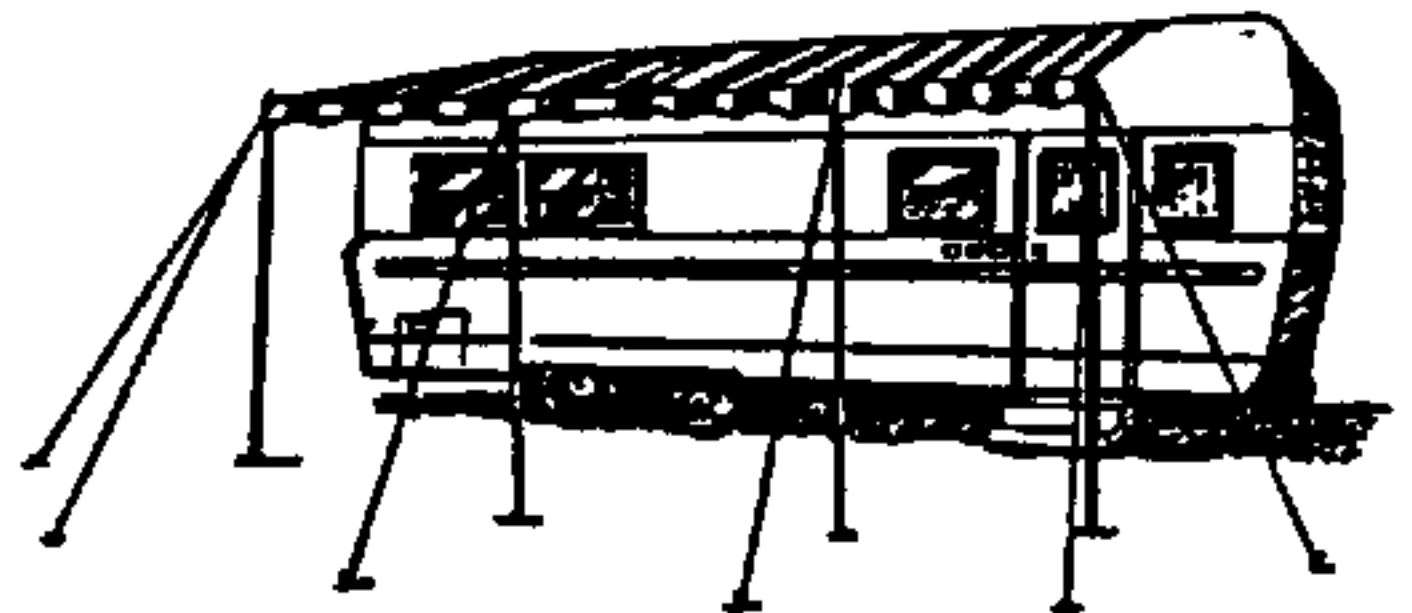


Fig 5